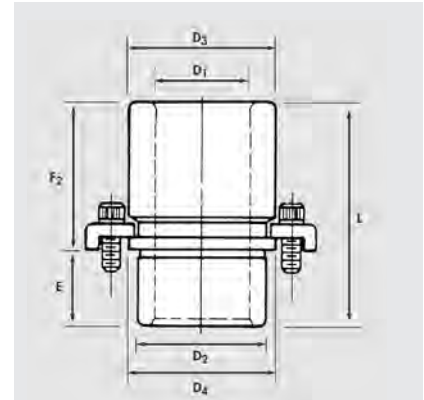


### Straight Sleeve Bushing Selection Guide



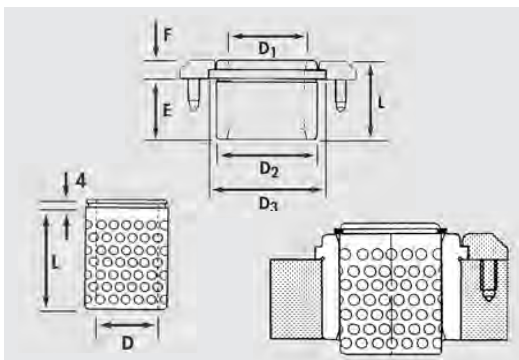
| Nominal Pillar Diameter mm | I. D. |      | O. D. |           | Length L mm | Catalog Number |
|----------------------------|-------|------|-------|-----------|-------------|----------------|
|                            | A mm  | B mm | A mm  | B mm      |             |                |
| 25                         | 33    | 45   | 65    | 6-2506-86 |             |                |
|                            |       |      | 80    | 6-2508-86 |             |                |
|                            |       |      | 95    | 6-2509-86 |             |                |
|                            |       |      | 110   | 6-2511-86 |             |                |
|                            |       |      | 130   | 6-2513-86 |             |                |
| 32                         | 40    | 54   | 80    | 6-3208-86 |             |                |
|                            |       |      | 95    | 6-3209-86 |             |                |
|                            |       |      | 110   | 6-3211-86 |             |                |
|                            |       |      | 130   | 6-3213-86 |             |                |
|                            |       |      | 150   | 6-3215-86 |             |                |
|                            |       |      | 170   | 6-3217-86 |             |                |
| 40                         | 48    | 65   | 80    | 6-4008-86 |             |                |
|                            |       |      | 95    | 6-4009-86 |             |                |
|                            |       |      | 110   | 6-4011-86 |             |                |
|                            |       |      | 130   | 6-4013-86 |             |                |
|                            |       |      | 150   | 6-4015-86 |             |                |
|                            |       |      | 170   | 6-4017-86 |             |                |
|                            |       |      | 190   | 6-4019-86 |             |                |
|                            |       |      | 215   | 6-4021-86 |             |                |
| 50                         | 62    | 81   | 110   | 6-5011-86 |             |                |
|                            |       |      | 130   | 6-5013-86 |             |                |
|                            |       |      | 150   | 6-5015-86 |             |                |
|                            |       |      | 170   | 6-5017-86 |             |                |
|                            |       |      | 190   | 6-5019-86 |             |                |
|                            |       |      | 215   | 6-5021-86 |             |                |
| 63                         | 75    | 95   | 240   | 6-5024-86 |             |                |
|                            |       |      | 265   | 6-5026-86 |             |                |
|                            |       |      | 150   | 6-6315-86 |             |                |
|                            |       |      | 170   | 6-6317-86 |             |                |
|                            |       |      | 190   | 6-6319-86 |             |                |
|                            |       |      | 215   | 6-6321-86 |             |                |
| 80                         | 92    | 112  | 240   | 6-6324-86 |             |                |
|                            |       |      | 265   | 6-6326-86 |             |                |
|                            |       |      | 150   | 6-8015-86 |             |                |
|                            |       |      | 170   | 6-8017-86 |             |                |
|                            |       |      | 190   | 6-8019-86 |             |                |
|                            |       |      | 215   | 6-8021-86 |             |                |
|                            |       |      | 240   | 6-8024-86 |             |                |
|                            |       |      | 265   | 6-8026-86 |             |                |
|                            |       |      |       |           |             |                |



### Demountable Bushing Selection Guide

| Nominal Post Diameter D | D <sub>1</sub> mm | D <sub>2</sub> mm | D <sub>3</sub> mm | D <sub>4</sub> mm | E mm | F <sub>2</sub> mm | L mm | Catalog Number |
|-------------------------|-------------------|-------------------|-------------------|-------------------|------|-------------------|------|----------------|
| 25                      | 33                | 45                | 50                | 54                | 30   | 35                | 65   | 6-2503-85      |
|                         |                   |                   |                   |                   |      | 50                | 80   | 6-2505-85      |
|                         |                   |                   |                   |                   |      | 65                | 95   | 6-2506-85      |
| 32                      | 40                | 54                | 59                | 63                | 30   | 50                | 80   | 6-3205-85      |
|                         |                   |                   |                   |                   |      | 65                | 95   | 6-3206-85      |
|                         |                   |                   |                   |                   |      | 80                | 110  | 6-3208-85      |
| 40                      | 48                | 65                | 73                | 75                | 30   | 50                | 80   | 6-4005-85      |
|                         |                   |                   |                   |                   |      | 65                | 95   | 6-4006-85      |
|                         |                   |                   |                   |                   |      | 80                | 110  | 6-4008-85      |
|                         |                   |                   |                   |                   |      | 100               | 130  | 6-4010-85      |
|                         |                   |                   |                   |                   |      | 120               | 150  | 6-4012-85      |
| 50                      | 62                | 81                | 91                | 91                | 50   | 60                | 110  | 6-5006-85      |
|                         |                   |                   |                   |                   |      | 80                | 130  | 6-5008-85      |
|                         |                   |                   |                   |                   |      | 100               | 150  | 6-5010-85      |
|                         |                   |                   |                   |                   |      | 120               | 170  | 6-5012-85      |
| 63                      | 75                | 95                | 105               | 105               | 50   | 100               | 150  | 6-6310-85      |
|                         |                   |                   |                   |                   |      | 120               | 170  | 6-6312-85      |
|                         |                   |                   |                   |                   |      | 140               | 190  | 6-6314-85      |

### Stripper Plate Bushing and Cage Selection Guide



| D mm | D <sub>1</sub> mm | D <sub>2</sub> mm | D <sub>3</sub> mm | E mm | F mm | L mm | Bushing Catalog Number | L mm      | Cage Catalog Number |
|------|-------------------|-------------------|-------------------|------|------|------|------------------------|-----------|---------------------|
| 25   | 33                | 45                | 51                | 20   | 10   | 30   | 6-2520-87              | 40        | 6-2504-83           |
|      |                   |                   |                   | 25   |      | 35   | 52                     | 6-2505-83 |                     |
| 32   | 40                | 54                | 60                | 20   | 10   | 30   | 6-3220-87              | 40        | 6-3204-83           |
|      |                   |                   |                   | 25   |      | 35   | 52                     | 6-3205-83 |                     |
|      |                   |                   |                   | 32   |      | 42   |                        |           |                     |
| 40   | 48                | 65                | 75                | 29   | 10   | 39   | 6-4029-87              | 52        | 6-4005-83           |
|      |                   |                   |                   | 36   |      | 46   | 64                     | 6-4006-83 |                     |
|      |                   |                   |                   | 44   |      | 54   |                        |           |                     |
| 50   | 62                | 81                | 91                | 36   | 10   | 46   | 6-5036-87              | 74        | 6-5007-83           |
|      |                   |                   |                   | 44   |      | 54   | 88                     | 6-5008-83 |                     |
| 63   | 75                | 95                | 105               | 50   | 10   | 60   | 6-6350-87              | 98        | 6-6309-83           |