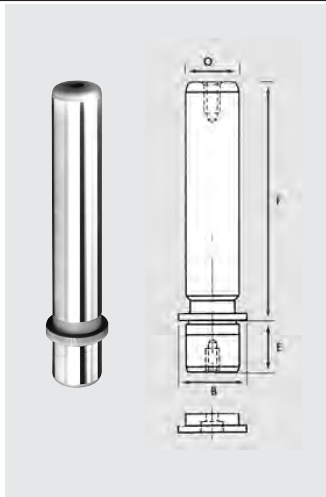
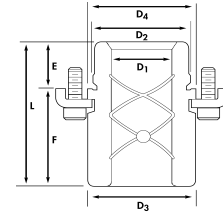


**Demountable Pin
Selection Guide Continued**

O	B	E	Length F	Catalog Number
50	63.8	45	110	5-5011-83
			120	5-5012-83
			130	5-5013-83
			140	5-5014-83
			150	5-5015-83
			160	5-5016-83
			170	5-5017-83
			180	5-5018-83
			200	5-5020-83
			220	5-5022-83
			240	5-5024-83
			260	5-5026-83
			280	5-5028-83
			320	5-5032-83
63	76	49	120	5-6312-83
			140	5-6314-83
			160	5-6316-83
			180	5-6318-83
			200	5-6320-83
			220	5-6322-83
			240	5-6324-83
			280	5-6328-83
80	93	60	180	5-8018-83
			200	5-8020-83
			220	5-8022-83
			240	5-8024-83
			280	5-8028-83
			320	5-8032-83
			360	5-8036-83
			400	5-8040-83



**Demountable Steel
Bushings and Sintered
Bronze Bushings**



Low Profile Bushings

D ₁ mm	D ₂ mm	D ₃ mm	D ₄ mm	E mm	F mm	L mm	X mm	Steel Catalog Number	Sintered Bronze Catalog Number
19	28	28	32.5	18	10	28	6	6-1928-68	6-1928-48
25	38	36	47	23	10	33	6	6-2538-68	6-2538-48
32	45	43	54	30	10	40	10	6-3245-68	6-3245-48
40	54	48	63	38	14	52	10	6-4054-68	6-4054-48
50	65	64	75	48	14	62	20	6-5065-68	6-5065-48
63	81	79	93	61	14	75	20	6-6381-68	6-6381-48
80	100	99	115	78	14	92	32	6-8010-68	6-8010-48



Short Shoulder Bushings

D ₁ mm	D ₂ mm	D ₃ mm	D ₄ mm	E mm	F mm	L mm	Steel Catalog Number	Sintered Bronze Catalog Number
19	28	28.5	32.5	18	16	34	6-1928-63	6-1928-43
25	38	44	47	23	21	44	6-2538-63	6-2538-43
32	45	51	54	25	21	48	6-3245-63	6-3245-43
40	54	60	63	30	21	51	6-4054-63	6-4054-43
50	65	73	75	35	25	60	6-5065-63	6-5065-43
63	81	90	93	48	27	75	6-6381-63	6-6381-43
80	100	110	115	48	27	75	6-8010-63	6-8010-43



Standard Shoulder Bushings

D ₁ mm	D ₂ mm	D ₃ mm	D ₄ mm	E mm	F mm	L mm	Steel Catalog Number	Sintered Bronze Catalog Number
19	28	28.5	32.5	18	32	50	6-1928-64	6-1928-44
25	38	44	47	23	47	70	6-2538-64	6-2538-44
32	45	51	54	25	50	75	6-3245-64	6-3245-44
40	54	60	63	30	50	80	6-4054-64	6-4054-44
50	65	73	75	35	50	85	6-5065-64	6-5065-44
63	81	90	93	48	52	100	6-6381-64	6-6381-44
80	100	110	115	48	52	100	6-8010-64	6-8010-44



Extra Long Shoulder Bushings

D ₁ mm	D ₂ mm	D ₃ mm	D ₄ mm	E mm	F mm	L mm	Steel Catalog Number	Sintered Bronze Catalog Number
25	38	44	47	23	75	98	6-2538-65	6-2538-45
32	45	51	54	25	75	100	6-3245-65	6-3245-45
40	54	60	63	30	85	115	6-4054-65	6-4054-45
50	65	73	75	35	100	135	6-5065-65	6-5065-45
63	81	90	93	48	100	148	6-6381-65	6-6381-45



Please Note: The Demountable Clamp Data is located on page 21.