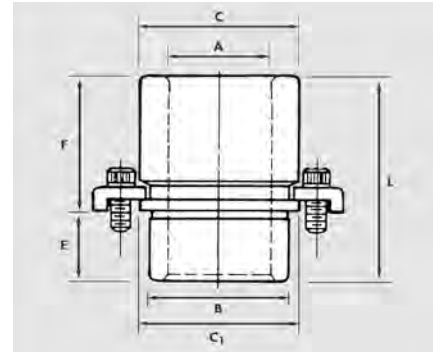
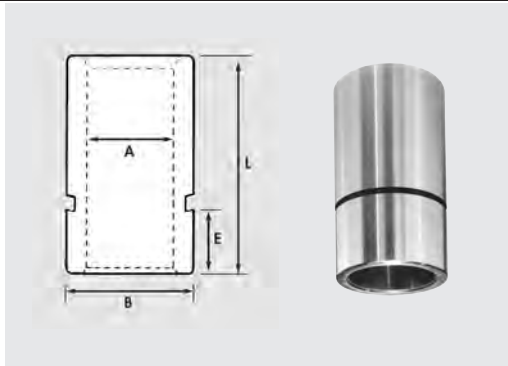


Straight Sleeve Bushing Selection Guide (-865)

| Nominal Post Diameter O | A | B | E | Length L | Catalog Number |
|-------------------------|------------|-------|-------|----------|----------------|
| 1" | 1 3/8 | 1 7/8 | n/a | 2 1/2 | 6-0810-865 |
| | | | | 3 | 6-0812-865 |
| | | | | 3 1/2 | 6-0814-865 |
| | | | | 4 | 6-0816-865 |
| | | | | 4 1/2 | 6-0818-865 |
| 5 | 6-0820-865 | | | | |
| 1 1/4" | 1 5/8 | 2 1/8 | n/a | 3 | 6-1012-865 |
| | | | | 3 1/2 | 6-1014-865 |
| | | | | 4 | 6-1016-865 |
| | | | | 4 1/2 | 6-1018-865 |
| | | | | 5 | 6-1020-865 |
| 6 | 6-1024-865 | | | | |
| 1 1/2" | 1 7/8 | 2 1/2 | 1 3/8 | 3 | 6-1212-865 |
| | | | | 3 3/4 | 6-1215-865 |
| | | | | 4 1/2 | 6-1218-865 |
| | | | | 5 | 6-1220-865 |
| | | | | 5 1/2 | 6-1222-865 |
| | | | | 6 | 6-1224-865 |
| | | | | 7 | 6-1228-865 |
| 8 | 6-1232-865 | | | | |
| 1 3/4" | 2 1/8 | 2 3/4 | 1 5/8 | 3 1/2 | 6-1414-865 |
| | | | | 4 1/4 | 6-1417-865 |
| | | | | 5 | 6-1420-865 |
| | | | | 5 1/2 | 6-1422-865 |
| | | | | 6 | 6-1424-865 |
| | | | | 7 | 6-1428-865 |
| 8 | 6-1432-865 | | | | |
| 9 | 6-1436-865 | | | | |
| 2" | 2 1/2 | 3 1/4 | 1 7/8 | 4 | 6-1616-865 |
| | | | | 4 3/4 | 6-1619-865 |
| | | | | 5 1/2 | 6-1622-865 |
| | | | | 6 1/4 | 6-1625-865 |
| | | | | 7 | 6-1628-865 |
| | | | | 8 | 6-1632-865 |
| | | | | 9 | 6-1636-865 |
| 10 | 6-1640-865 | | | | |
| 2 1/2" | 3 | 3 3/4 | 1 7/8 | 6 | 6-2024-865 |
| | | | | 6 3/4 | 6-2027-865 |
| | | | | 7 1/2 | 6-2030-865 |
| | | | | 8 1/2 | 6-2034-865 |
| | | | | 9 1/2 | 6-2038-865 |
| 10 1/2 | 6-2042-865 | | | | |



Demountable Bushing Selection Guide (-855)

| Nominal Post Diameter O | A | B | C | C1 | E | F | L | Catalog Number |
|-------------------------|-------|-------|-------|------|---------|-------|---------|----------------|
| 1" | 1 3/8 | 1 7/8 | 2 1/8 | 2.28 | 1 3/16 | 1 1/4 | 2 7/16 | 6-0805-855 |
| | | | | | | 1 3/4 | 2 15/16 | 6-0807-855 |
| | | | | | | 2 1/4 | 3 7/16 | 6-0809-855 |
| 1 1/4" | 1 5/8 | 2 1/8 | 2 3/8 | 2.48 | 1 3/16 | 1 3/4 | 2 15/16 | 6-1007-855 |
| | | | | | | 2 1/4 | 3 7/16 | 6-1009-855 |
| | | | | | | 2 3/4 | 3 15/16 | 6-1011-855 |
| 1 1/2" | 1 7/8 | 2 1/2 | 2 7/8 | 2.98 | 1 7/16 | 1 1/2 | 2 15/16 | 6-1206-855 |
| | | | | | | 2 1/4 | 3 11/16 | 6-1209-855 |
| | | | | | | 3 | 4 7/16 | 6-1212-855 |
| | | | | | | 3 1/2 | 4 15/16 | 6-1214-855 |
| 1 3/4" | 2 1/8 | 2 3/4 | 3 1/8 | 3.28 | 1 11/16 | 1 3/4 | 3 7/16 | 6-1407-855 |
| | | | | | | 2 1/2 | 4 3/16 | 6-1410-855 |
| | | | | | | 3 1/4 | 4 15/16 | 6-1413-855 |
| 2" | 2 1/2 | 3 1/4 | 3 5/8 | 3.74 | 1 15/16 | 2 | 3 15/16 | 6-1608-855 |
| | | | | | | 2 3/4 | 4 11/16 | 6-1611-855 |
| | | | | | | 3 1/2 | 5 7/16 | 6-1614-855 |
| | | | | | | 4 1/4 | 6 3/16 | 6-1617-855 |
| 2 1/2" | 3 | 3 3/4 | 4 1/8 | 4.25 | 1 15/16 | 4 | 5 15/16 | 6-2016-855 |
| | | | | | | 4 3/4 | 6 11/16 | 6-2019-855 |
| | | | | | | 5 1/2 | 7 7/16 | 6-2022-855 |
| 3" | 3 1/2 | 4 1/4 | 4 3/4 | 4.88 | 1 15/16 | 4 | 5 15/16 | 6-2416-855 |
| | | | | | | 4 3/4 | 6 11/16 | 6-2419-855 |
| | | | | | | 5 1/2 | 7 7/16 | 6-2422-855 |

Bore Sizes for Ball Bearing Bushing and Pin Assembly

| Pin Diameter | -825, -835 Bore Diameter | -55 Bore Diameter | Ball Bushing Bore Diameter | Ring System Bore Diameter |
|--------------|--------------------------|-------------------|----------------------------|---------------------------|
| 1" | 0.9991 | 1.0006 | 1.8756 | - |
| | 0.9985 | 1.0000 | 1.8750 | - |
| 1 1/4" | 1.2489 | 1.2506 | 2.1257 | - |
| | 1.2482 | 1.2500 | 2.1250 | - |
| 1 1/2" | 1.4989 | 1.5006 | 2.5007 | 2.4997 |
| | 1.4982 | 1.5000 | 2.5000 | 2.4990 |
| 1 3/4" | 1.7489 | 1.7506 | 2.7507 | 2.7497 |
| | 1.7482 | 1.7500 | 2.7500 | 2.7490 |
| 2" | 1.9989 | 2.0007 | 3.2509 | 3.2499 |
| | 1.9982 | 2.0000 | 3.2500 | 3.2490 |
| 2 1/2" | 2.4986 | 2.5007 | 3.7509 | 3.7499 |
| | 2.4979 | 2.5000 | 3.7500 | 3.7490 |
| 3" | 2.9986 | 3.0007 | 4.2509 | - |
| | 2.9979 | 3.0000 | 4.2500 | - |