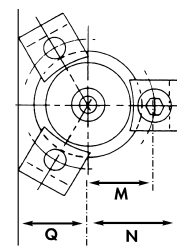
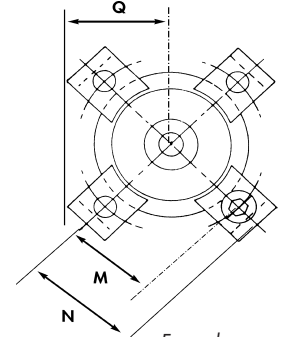


Demountable Pin Clamp Data

Diameter O	Pillar Clamp Data						
	Radius		Q	Qty per Pillar	Catalog Number	Socket Head Cap Screws	
	M	N				S	T
1"	13/16	1 1/8	7/8	3	6-90-1	1/4 - 20 x 3/4	5/8
1 1/4"	63/64	1 7/16	1	3	6-93-1	5/16 - 18 x 7/8	3/4
1 1/2"	1 1/8	1 9/16	1 1/16				
1 3/4"	1 19/64	1 3/4	1 3/8				
2"	1 27/64	1 7/8	1 9/16	4	6-93-1	5/16 - 18 x 7/8	3/4
2 1/2"	1 43/64	2 1/8	1 3/4				
3"	1 59/64	2 3/8	1 15/16				

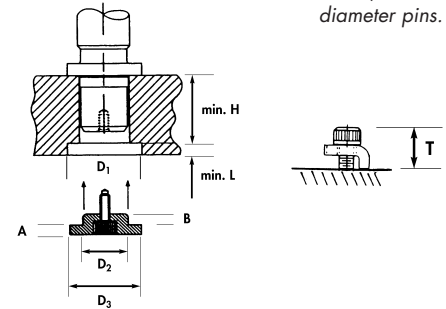


Three clamps equally spaced for 1" - 1 1/2" diameter pins.



Four clamps equally spaced for 1 3/4" - 3" diameter pins.

Pin Diameter O	Pillar Retaining Plug Data								
	D1	min. L	min. H	A	B	D2	D3	Catalog Number	Screw
1"	1.50	.25	1.25	.20	.36	.99	1.49	6-08-35	3/8 - 16
1 1/4"	1.75	.25	1.75	.20	.55	1.24	1.74	6-10-35	1/2 - 13
1 1/2"	2.00	.25	2.00	.20	.55	1.49	1.99	6-12-35	1/2 - 13
1 3/4"	2.25	.25	2.45	.20	.73	1.74	2.24	6-14-35	5/8 - 11
2"	2.50	.25	2.70	.20	.73	1.99	2.49	6-16-35	5/8 - 11
2 1/2"	3.00	.25	2.70	.20	.73	2.49	2.99	6-20-35	5/8 - 11
3"	3.50	.25	3.15	.20	.93	2.99	3.49	6-24-35	3/4 - 10



Demountable Bushing Clamp Data

Clamp Arrangement Selection Data

L - R Feed

F - B Feed

Round Dies

NOTE: If not specified, clamp arrangement L-R will be furnished. Clamp arrangement F-B is furnished on center pin sets.

Clamp Numbers:
6-90-1, 6-93-1, 6-95-1

We ship the appropriate number of clamps and SHCS with each demountable bushing ordered.

APPLICATION	Nominal Diameter Bush. ID Pin OD	Clamp Data											
		Location				Size				Clamp No.	Per Unit	Screw Size	T
		M	N	L	K	A	B	C	D				
Bushings, Demountable Shoulder and Short Shoulder	3/4"	25/32	1 1/64	90°	45°	15/32	1/2	.125	7/32	6-95-1	2	1/4 - 20 x 5/8	15/32
	1"	1 1/16	1 3/8	90°	45°	5/8	5/8	.193	11/32	6-90-1	2	1/4 - 20 x 3/4	39/64
	1 1/4"	1 7/32	1 17/32	120°	45°	25/32	5/8	.250	7/16	6-93-1	3	5/16 - 18 x 3/4	3/4
	1 1/2"	1 3/8	1 11/16										
	1 3/4"	1 1/2	1 13/16	35°	10°	25/32	5/8	.250	7/16	6-93-1	4	5/16 - 18 x 3/4	3/4
	2"	1 45/64	2 1/64										
	2 1/2"	2 5/64	2 25/64										
3"	2 5/16	2 5/8	45°	0°									