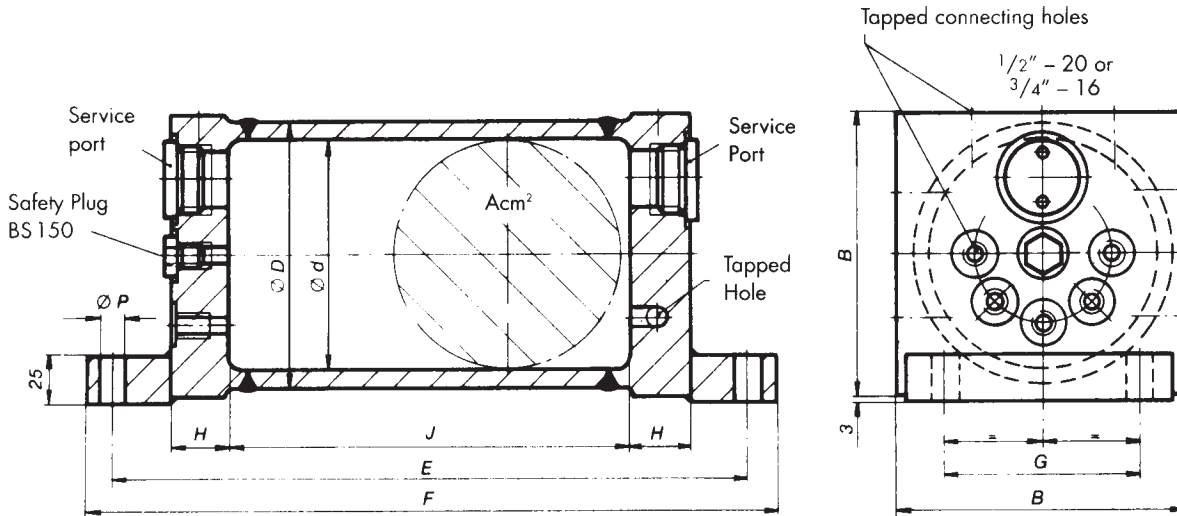


CUSTOM WELDED TANKS TYPE NPT (UP TO 100 LITRES)

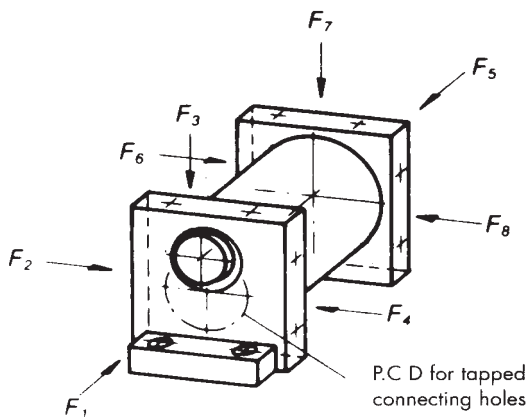
These tanks should be selected when a larger gas volume or smaller tank size is required. The arrangement of service ports and tapped holes shown below is only an example.



MODEL	A cm ²	B	H	ØD	Ød	E	F	G	ØP
NPT 5	108.8	150	40	139.7	117.7	J+140	J+170	100	14
NPT 8	285.0	225	40	219.1	190.7	J+160	J+200	180	18
NPT 10	655.2	350	45	323.9	288.9	J+170	J+210	280	18

$$J = \frac{\text{Tank Volume}}{A}$$

As with threaded tanks, one 1/2" - 20 BS 150 safety plug must be used for each 5 litres of gas volume. The maximum number of tapped holes possible per side is indicated in the following sketch and table.



CONNECTIONS

MODEL	NPT 5		NPT 8		NPT 10	
	1/2" - 20	3/4" - 16	1/2" - 20	3/4" - 16	1/2" - 20	3/4" - 16
F1	8	5	9	9	20	20
F2, 3, 4	2	•	2	2	5	5
F5	8	5	9	9	20	20
F6, 7, 8	2	•	2	2	5	5

To order please specify:

- model number and required volume
- number, size and position of connections

Example:

- (1) NPT 8 - 10 Litres
- (2) 1/2" - 20 at F₁
- (1) 3/4" - 16 at F₃