

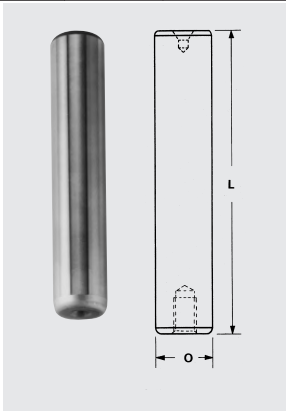
Precision Pin Selection Guide

Nominal Pin Diameter O	Length L	Catalog Number
19	100	5-1910-82
	110	5-1911-82
	120	5-1912-82
	130	5-1913-82
	140	5-1914-82
	150	5-1915-82
	160	5-1916-82
	170	5-1917-82
	180	5-1918-82
	190	5-1919-82
200	5-2120-82	
25	100	5-2510-82
	110	5-2511-82
	120	5-2512-82
	130	5-2513-82
	140	5-2514-82
	150	5-2515-82
	160	5-2516-82
	170	5-2517-82
	180	5-2518-82
	190	5-2519-82
	200	5-2520-82
	220	5-2522-82
	240	5-2524-82
	260	5-2526-82
280	5-2528-82	
32	130	5-3213-82
	140	5-3214-82
	150	5-3215-82
	160	5-3216-82
	170	5-3217-82
	180	5-3218-82
	190	5-3219-82
	200	5-3220-82
	220	5-3222-82
	240	5-3224-82
260	5-3226-82	
280	5-3228-82	
320	5-3232-82	

Nominal Pin Diameter O	Length L	Catalog Number
40	130	5-4013-82
	140	5-4014-82
	150	5-4015-82
	160	5-4016-82
	170	5-4017-82
	180	5-4018-82
	190	5-4019-82
	200	5-4020-82
	220	5-4022-82
	240	5-4024-82
260	5-4026-82	
280	5-4028-82	
320	5-4032-82	
360	5-4036-82	
50	160	5-5016-82
	180	5-5018-82
	200	5-5020-82
	220	5-5022-82
	240	5-5024-82
	260	5-5026-82
	280	5-5028-82
	320	5-5032-82
	330	5-5033-82
	360	5-5036-82
400	5-5040-82	
450	5-5045-82	
63	200	5-6320-82
	220	5-6322-82
	240	5-6324-82
	260	5-6326-82
	280	5-6328-82
	320	5-6332-82
	360	5-6336-82
	400	5-6340-82
	450	5-6345-82
	500	5-6350-82
80	240	5-8024-82
	260	5-8026-82
	280	5-8028-82
	320	5-8032-82
	360	5-8036-82
	400	5-8040-82
	450	5-8045-82
	500	5-8050-82

Demountable Pin Selection Guide

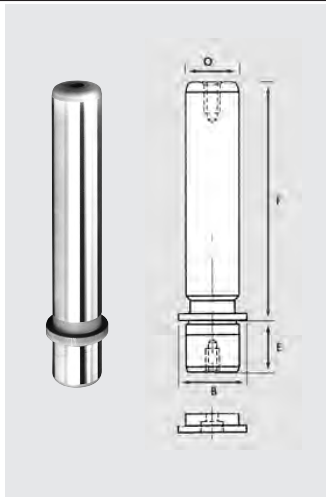
O	B	E	Length F	Catalog Number
19	25.6	20	70	5-1907-83
			80	5-1908-83
			90	5-1909-83
			100	5-1910-83
			110	5-1911-83
			120	5-1912-83
			130	5-1913-83
			140	5-1914-83
			150	5-1915-83
			160	5-1916-83
25	32.6	24	70	5-2507-83
			80	5-2508-83
			90	5-2509-83
			100	5-2510-83
			110	5-2511-83
			120	5-2512-83
			130	5-2513-83
			140	5-2514-83
			150	5-2515-83
			160	5-2516-83
170	5-2517-83			
180	5-2518-83			
200	5-2520-83			
32	40.6	30	90	5-3209-83
			100	5-3210-83
			110	5-3211-83
			120	5-3212-83
			130	5-3213-83
			140	5-3214-83
			150	5-3215-83
			160	5-3216-83
			170	5-3217-83
			180	5-3218-83
200	5-3220-83			
220	5-3222-83			
240	5-3224-83			
280	5-3228-83			
40	50.8	37	100	5-4010-83
			110	5-4011-83
			120	5-4012-83
			130	5-4013-83
			140	5-4014-83
			150	5-4015-83
			160	5-4016-83
			170	5-4017-83
			180	5-4018-83
			200	5-4020-83
220	5-4022-83			
240	5-4024-83			
280	5-4028-83			



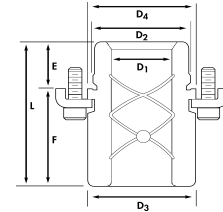
Guide Pin Tap Sizes		Recommended Seating Torque
Nominal Pin Diameter O	Tap Size	Kg-M
25 - 32	M6	0.90
40 - 80	M10	4.40

**Demountable Pin
Selection Guide Continued**

O	B	E	Length F	Catalog Number
50	63.8	45	110	5-5011-83
			120	5-5012-83
			130	5-5013-83
			140	5-5014-83
			150	5-5015-83
			160	5-5016-83
			170	5-5017-83
			180	5-5018-83
			200	5-5020-83
			220	5-5022-83
			240	5-5024-83
			260	5-5026-83
			280	5-5028-83
			320	5-5032-83
63	76	49	120	5-6312-83
			140	5-6314-83
			160	5-6316-83
			180	5-6318-83
			200	5-6320-83
			220	5-6322-83
			240	5-6324-83
			280	5-6328-83
80	93	60	180	5-8018-83
			200	5-8020-83
			220	5-8022-83
			240	5-8024-83
			280	5-8028-83
			320	5-8032-83
			360	5-8036-83
			400	5-8040-83



**Demountable Steel
Bushings and Sintered
Bronze Bushings**



Low Profile Bushings

D ₁ mm	D ₂ mm	D ₃ mm	D ₄ mm	E mm	F mm	L mm	X mm	Steel Catalog Number	Sintered Bronze Catalog Number
19	28	28	32.5	18	10	28	6	6-1928-68	6-1928-48
25	38	36	47	23	10	33	6	6-2538-68	6-2538-48
32	45	43	54	30	10	40	10	6-3245-68	6-3245-48
40	54	48	63	38	14	52	10	6-4054-68	6-4054-48
50	65	64	75	48	14	62	20	6-5065-68	6-5065-48
63	81	79	93	61	14	75	20	6-6381-68	6-6381-48
80	100	99	115	78	14	92	32	6-8010-68	6-8010-48



Short Shoulder Bushings

D ₁ mm	D ₂ mm	D ₃ mm	D ₄ mm	E mm	F mm	L mm	Steel Catalog Number	Sintered Bronze Catalog Number
19	28	28.5	32.5	18	16	34	6-1928-63	6-1928-43
25	38	44	47	23	21	44	6-2538-63	6-2538-43
32	45	51	54	25	21	48	6-3245-63	6-3245-43
40	54	60	63	30	21	51	6-4054-63	6-4054-43
50	65	73	75	35	25	60	6-5065-63	6-5065-43
63	81	90	93	48	27	75	6-6381-63	6-6381-43
80	100	110	115	48	27	75	6-8010-63	6-8010-43



Standard Shoulder Bushings

D ₁ mm	D ₂ mm	D ₃ mm	D ₄ mm	E mm	F mm	L mm	Steel Catalog Number	Sintered Bronze Catalog Number
19	28	28.5	32.5	18	32	50	6-1928-64	6-1928-44
25	38	44	47	23	47	70	6-2538-64	6-2538-44
32	45	51	54	25	50	75	6-3245-64	6-3245-44
40	54	60	63	30	50	80	6-4054-64	6-4054-44
50	65	73	75	35	50	85	6-5065-64	6-5065-44
63	81	90	93	48	52	100	6-6381-64	6-6381-44
80	100	110	115	48	52	100	6-8010-64	6-8010-44



Extra Long Shoulder Bushings

D ₁ mm	D ₂ mm	D ₃ mm	D ₄ mm	E mm	F mm	L mm	Steel Catalog Number	Sintered Bronze Catalog Number
25	38	44	47	23	75	98	6-2538-65	6-2538-45
32	45	51	54	25	75	100	6-3245-65	6-3245-45
40	54	60	63	30	85	115	6-4054-65	6-4054-45
50	65	73	75	35	100	135	6-5065-65	6-5065-45
63	81	90	93	48	100	148	6-6381-65	6-6381-45



Please Note: The Demountable Clamp Data is located on page 21.