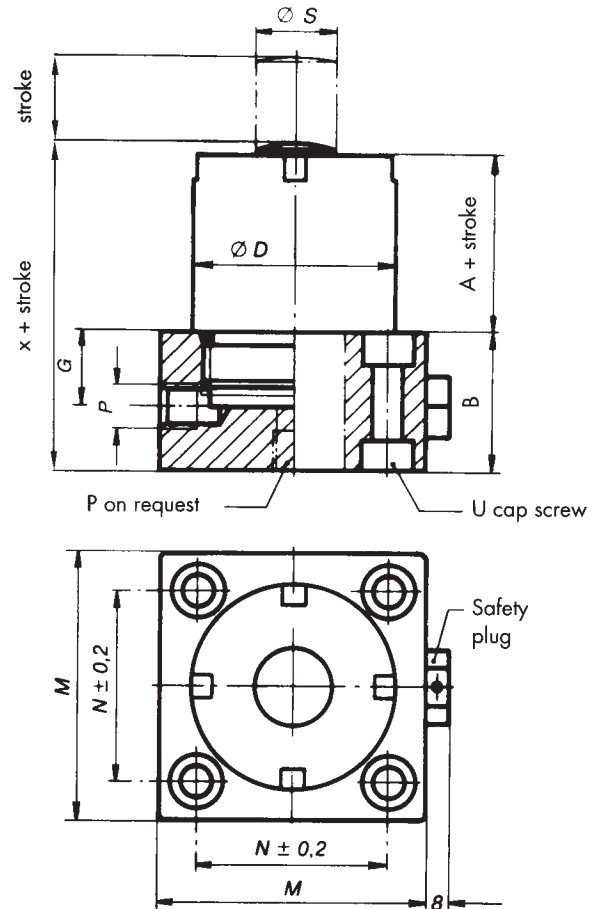


## PAD MOUNTED CYLINDERS TYPE CDSP

MODEL	NOM. FORCE kN	S T R O K E						
		12.5	25	38	50	75	100	150
CDSP 0.3	3.3	•	•	•	•	•	•	
CDSP 0.5	5.0	•	•	•	•	•	•	
CDSP 1.0	10		•	•	•	•	•	
CDSP 2.5	25		•	•	•	•	•	
CDSP 3.5	35		•	•	•	•	•	•
CDSP 5.5	55		•	•	•	•	•	•
CDSP 10	100		•	•	•	•	•	•
CDSP 15	150		*	*	*	*	*	*
CDSP 20	200		*	*	*	*	*	*

\*CDSP 15 and CDSP 20 models are manufactured to order. Dimensional detail supplied on request.



MODEL	A	X	B	ØD	ØS	G	P	M	N	U
CDSP 0.3	15.3	45.5	28.5	32	10	18	1/2".20	51	35	M8
CDSP 0.5	18.8	49.0	28.5	42	12	18	1/2".20	62	45	M8
CDSP 1.0	21.8	58.5	35	54	22	20	1/2".20	70	54	M8
CDSP 2.5	21.8	61.5	38	70	28	20	1/2".20	90	70	M8
CDSP 3.5	31.5	76.5	43	88	28	25	3/4".16	108	78	M10
CDSP 5.5	36.5	83.5	45	108	40	27	3/4".16	128	97	M12
CDSP 10	41.5	103.5	60	146	50	39	3/4".16	156	124	M16

1 kN = 224.8 Pounds Force.

### To order please specify:

- model number
- maximum stroke
- thread "P" if required on plate bottom

### Example:

CDSP 5.5 x 50 with thread on bottom