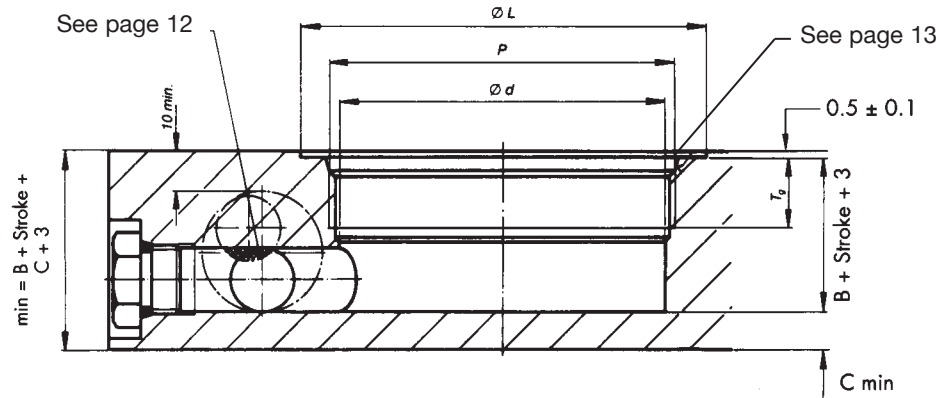
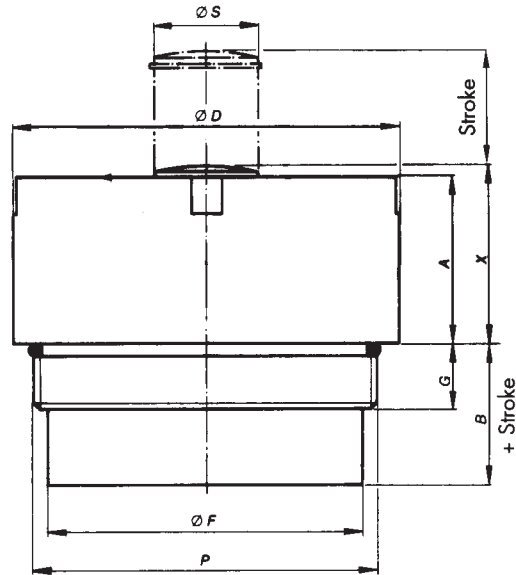


## LOW PROFILE CYLINDERS TYPE CDSN

MODEL	NOM. FORCE kN	S T R O K E						
		12.5	25	38	50	75	100	150
CDSN 0.3	3.3	•	•	•	•	•	•	
CDSN 0.5	5.0		•	•	•	•	•	
CDSN 1.0	10		•	•	•	•	•	•
CDSN 2.5	25		•	•	•	•	•	•
CDSN 3.5	35		•	•	•	•	•	•
CDSN 5.5	55		•	•	•	•	•	•
CDSN 10	100		•	•	•	•	•	•



MODEL	A	B	X	ØD	Ød	ØF	ØL	ØS	G	P	Tg	C min
CDSN 0.3	18.3	13.0	20	32	24	23.5	44	10	15	M27 x 2	20	10
CDSN 0.5	40.5	-6.7	42	42	33	32.5	50	12	15	M36 x 2	20	10
CDSN 1.0	40.5	-3.2	42	54	44	42	65	22	15	M48 x 2	20	10
CDSN 2.5	40.5	-1.7	42	70	62	61	80	28	15	M64 x 2	20	10
CDSN 3.5	49.5	1.5	51.5	88	77	76	92	28	18	M80 x 2	23	10
CDSN 5.5	52.5	9.0	54.5	108	96	95	112	40	20	M100 x 2	25	13
CDSN 10	62.5	6.0	64.5	146	126	125	151	50	22	M130 x 2	30	16

1 kN = 224.8 Pounds Force.

### To order please specify:

- model number
- maximum stroke

### Example:

CDSN 2.5 x 100