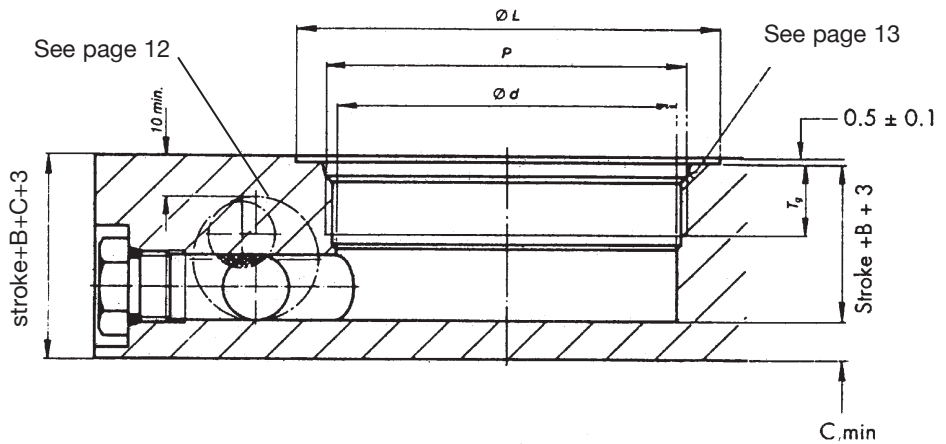
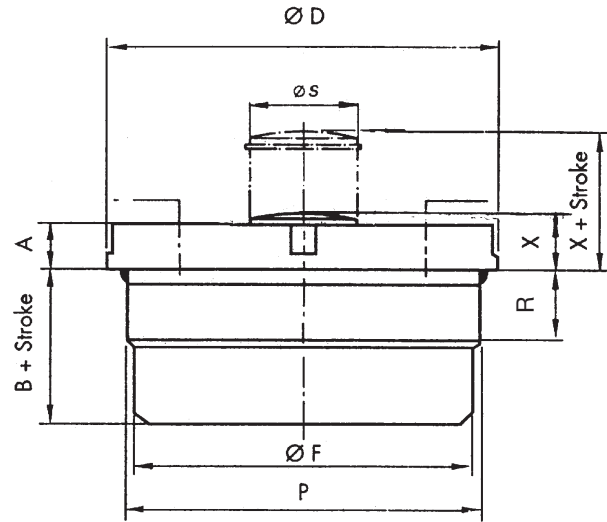


PANCAKE CYLINDERS TYPE CDSK

MODEL	NOM. FORCE kN	S T R O K E			
		6	10	15	20
CDSK 1.0	10	•	•	•	•
CDSK 2.5	25	•	•	•	•
CDSK 3.5	35	•	•	•	•
CDSK 5.5	55	•	•	•	•



MODEL	A	B	X	ØD	Ød	ØF	ØL	ØS	R	P	Tg	C min
CDSK 1.0	10	22	11	54	44	42	65	18	18	M48 x 2	20	10
CDSK 2.5	10	24	12	70	62	61	80	28	17	M64 x 2	20	10
CDSK 3.5	14	31	16	88	77	75	92	28	19	M80 x 2	23	10
CDSK 5.5	14	31	16	108	96	95	112	40	19	M100 x 2	25	13

1 kN = 224.8 Pounds Force.

To order please specify:

- model number
- maximum stroke

Example:
CDSK 2.5 x 10