

READY

THE INNOVATOR OF OUR INDUSTRY®

Nitrogen Gas Springs

They truly are ... Better by Design



*We have one of the
Largest Selections of
Gas Springs in North America*

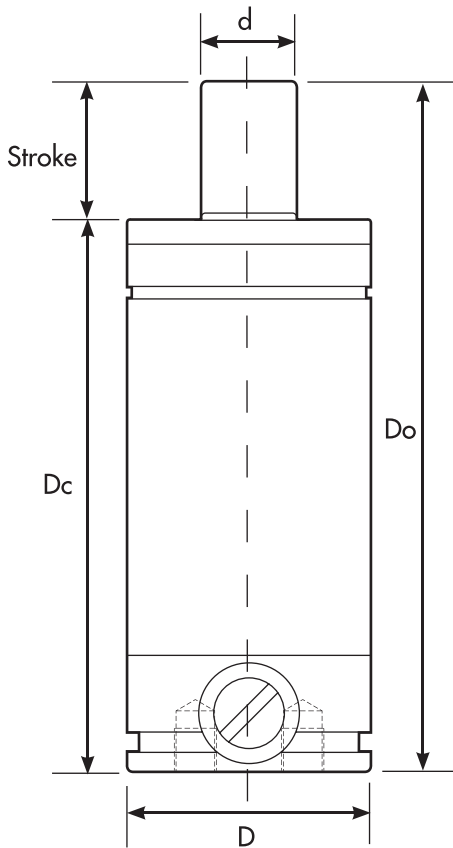


Design A Spring Program Order Worksheet

Cross over worksheet for READY Gas Springs
For FAST QUOTES ... copy this and fax READY the details.

READY can manufacture special gas springs in as little as 3-5 days (quantity of springs will affect delivery).

Company: _____
 Contact Name: _____ Title: _____
 Address: _____
 City, State, Zip: _____
 Phone: _____ Fax: _____
 Email Address: _____



Selection Criteria

$\varnothing d$ _____
 $\varnothing D$ _____
 Stroke _____
 Do _____
 Dc _____
 Stroke/mm _____
 Force Needed _____
 Threaded Body _____
 Mounting Pattern _____

In addition to our complete line of standard gas springs, we offer what no other gas spring manufacturer offers: a re-engineer custom gas spring manufacturing service with incomparably quick delivery.

That's right. With our "Design a Spring Program", we can special manufacture gas springs to provide an exact cross to most other gas spring models or to your application specifications.

Simply fax us a completed Design A Spring Program Order Worksheet, and Ready will promptly respond with a design solution for your requirement. We invite you to try our new and remarkable Design a Spring Program for yourself.

Experience for yourself the benefits of DESIGN₂-TITE® gas springs.

***They truly are...
Better by Design.***

READY TECHNOLOGY

333 Progress Rd. • Dayton, OH 45449
937.866.7200 • 800.543.4355
fax: 937.866.7226

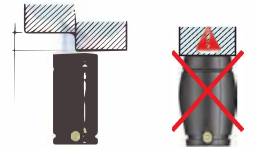
www.readytechnology.com

Please read the following safety information carefully. We have designed a number of safety features into our gas springs, but ultimately there is no substitute for caution and good shop practice.

Gas springs are elements that contain gas subjected to high pressure. It is therefore very important to adhere to the following warnings and recommendations. Any unauthorised operation carried out may bring about serious material damage and personal injuries. It is therefore essential to handle such elements with care and to respect these instructions.



We strongly recommend that you stay within 90% of the total stroke available. This will improve spring life and safety. If you use the maximum stroke available the spring could be over-stroked if any foreign matter becomes lodged between the top of the piston and its striker, and a crushed spring or explosion could result.



Gas springs must only be loaded with nitrogen gas (N₂). The use of any other medium is expressly forbidden.



The gas spring should never be charged unless the piston has been extended to its full upstroke position (otherwise there is risk of structural damage). To be on the safe side, the stem should be inserted completely into the body without coming up again.



Protect the gas spring body or stem from blows. Any resulting imperfection could bring about the loss of pressure and affect the useful life of the gas spring. If the gas spring has been dented in its structure, discharge it completely before carrying out any rework or handling.



During gas spring discharging, the discharging point should be placed as high as possible. The use of protective goggles is recommended.



Carry and stock the gas spring in a way that it does not hit other gas springs.



The gas spring should never be charged unless the piston has been extended to its full upstroke position (otherwise there is a risk of structural damage). It is first necessary to carry out a 5-to -10 bar precharge, checking the gas spring before carrying out the complete charge. Each model's maximum and minimum charging pressures should be respected, as indicated in the specifications for each gas spring model.



Any mechanical operation (machining, drilling, welding...) on the gas spring is strictly prohibited.



Once the useful life of the gas spring is over it should be completely discharged. The stem should remain fully inserted into the body.



There are specific tools to measure gas spring force. Never knock the stem with a hammer to check its pressure. Gas springs should not be improperly compressed in order to check their force.



All gas springs are capable of repair. All handling or maintenance operations should be carried out by authorised personnel, who should be especially trained for this purpose. Original components and accessories should always be used. For any doubts regarding the maintenance of the gas spring, please consult our Technical Department.

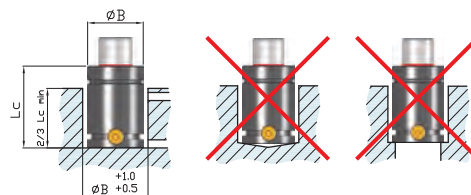


Avoid sudden gas spring stem release to avoid sudden discharge or component damage.



ASSEMBLY ON THE TOOL: FLAT SUPPORT

There should be a flat surface under the gas spring base. Inadequate support causes structural damage or reduces gas spring useful life.



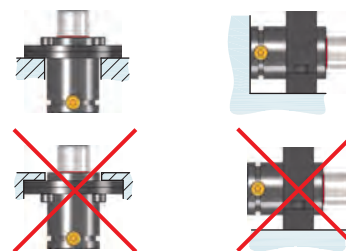
ASSEMBLY ON THE TOOL: CORRECT FIXTURE

Fix the gas spring solidly onto the tool. If possible, fix the gas spring onto the tool using the fixing threaded holes at the bottom of the body or fixing accessories. Do not use the threaded hole on the stem for fixing onto the tool. This hole is only to be used in maintenance operations. Make sure the length of the screws is such that the base of the gas spring sits flatly on the tool.



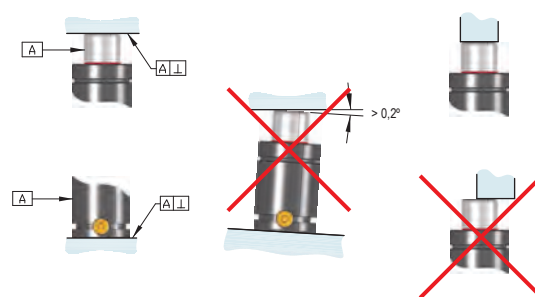
ASSEMBLY ON THE TOOL: FIXING ELEMENTS

Follow the recommended methods for mounting gas springs to your tool. READY offers a wide variety of assembly options to satisfy different application needs.



ASSEMBLY ON THE TOOL: ASSEMBLY MUST BE PERPENDICULAR TO THE WORKING AXIS

Gas springs must always work completely perpendicular to the contact surface. Lateral forces produced by a badly aligned press can cause irreparable damage.



ASSEMBLY ON THE TOOL: PROTECTION FROM POLLUTANTS

Protect gas springs from liquid or solid pollution. Avoid particles making direct contact with the gas spring. Box cavities are to be cleaned regularly and should be equipped with drainage holes.

