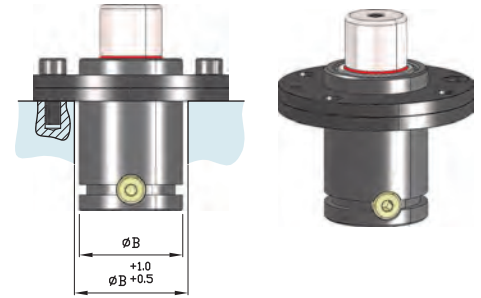


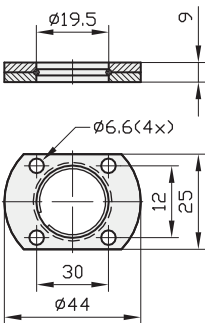
Flanges for attaching gas springs onto tools



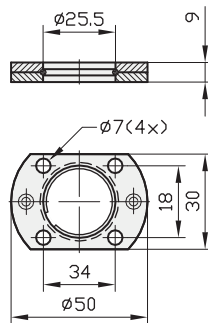
FLANGE FS



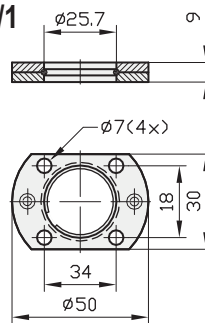
FS 19



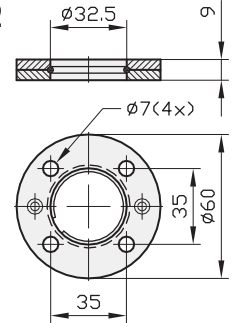
FS 25



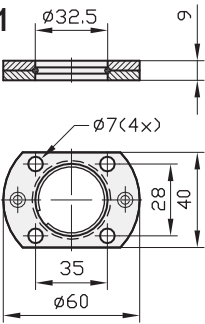
FS 25/1



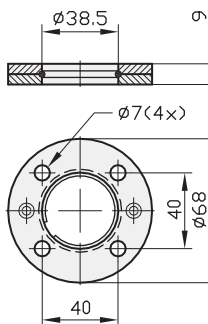
FS 32



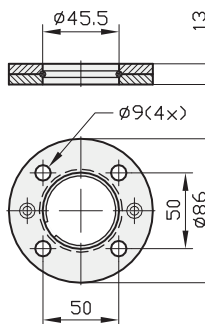
FS 32/1



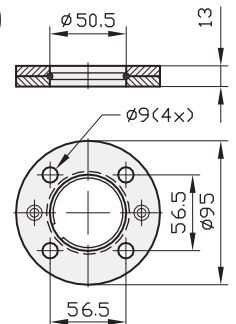
FS 38



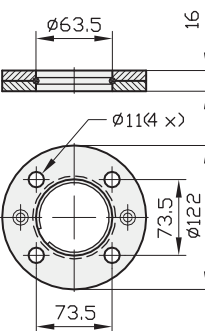
FS 45



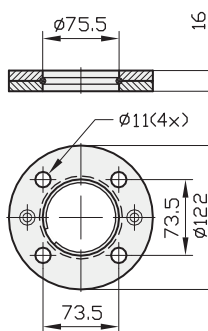
FS 50



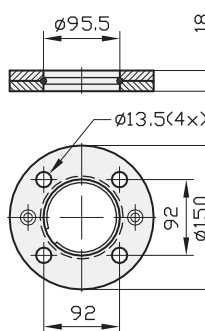
FS 63



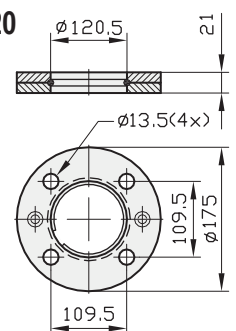
FS 75



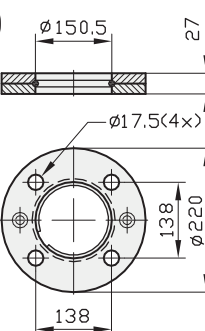
FS 95



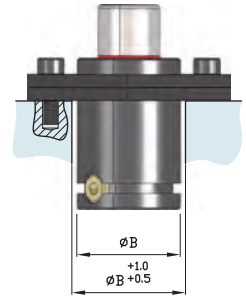
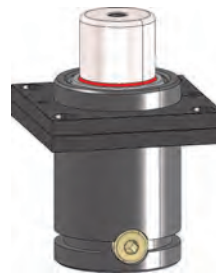
FS 120



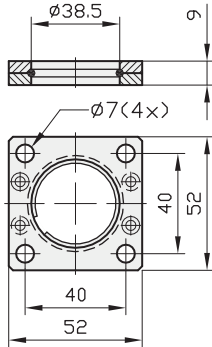
FS 150



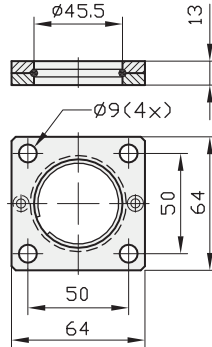
FLANGE FSC



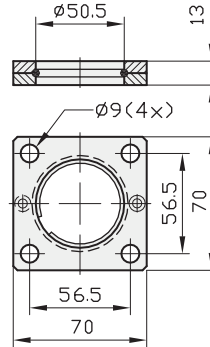
FSC 38



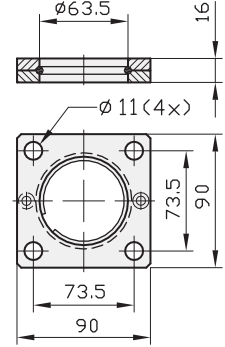
FSC 45



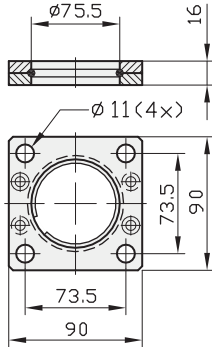
FSC 50



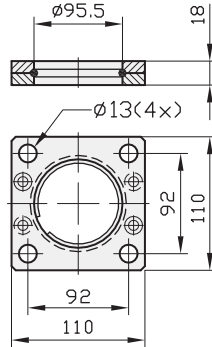
FSC 63



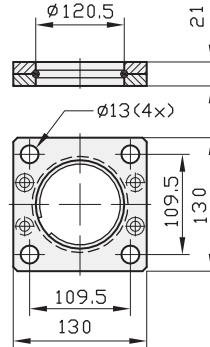
FSC 75



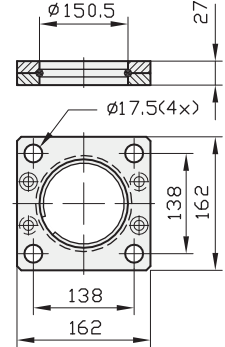
FSC 95



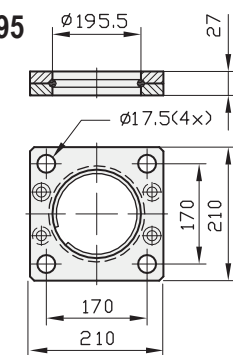
FSC 120



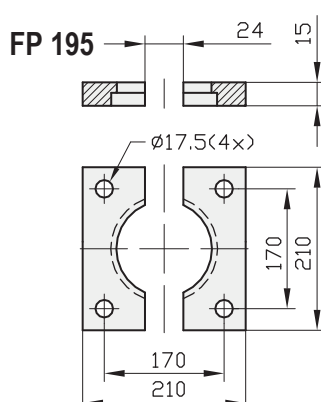
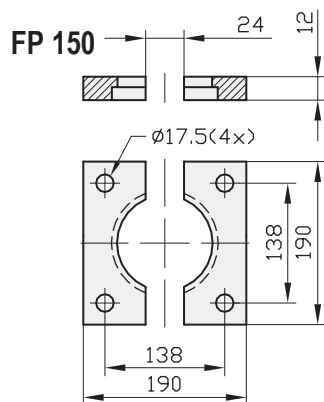
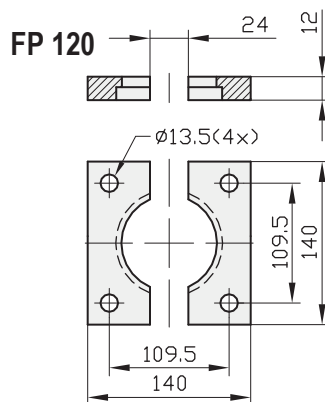
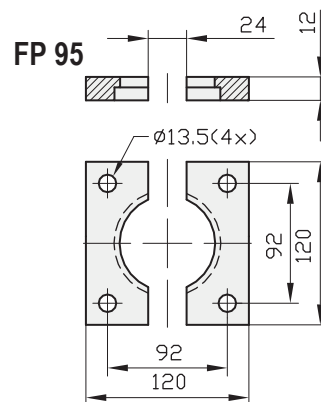
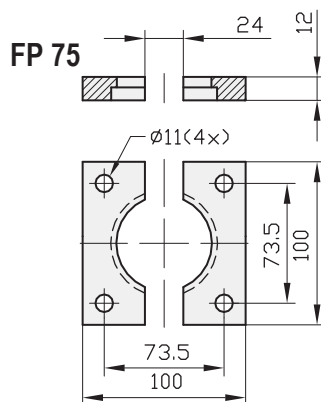
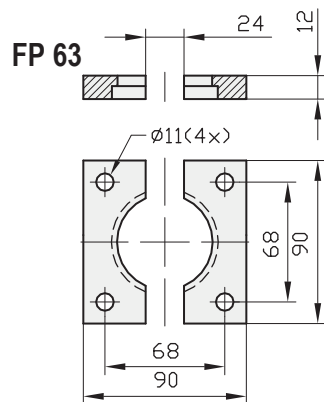
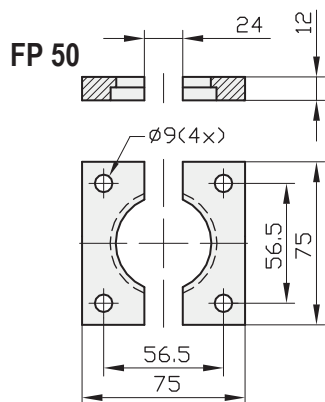
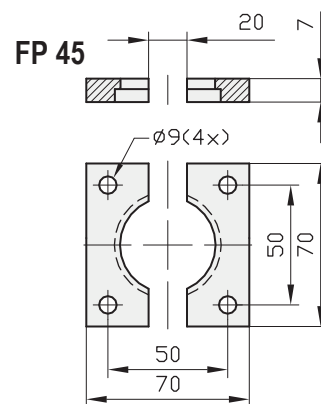
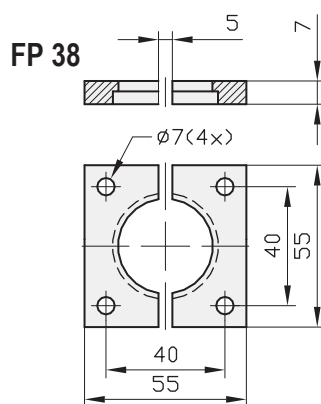
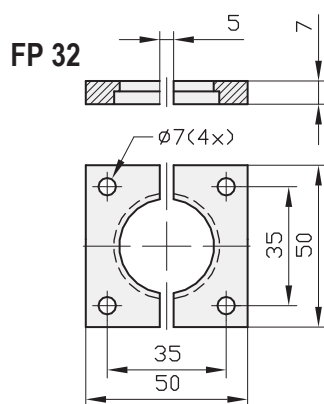
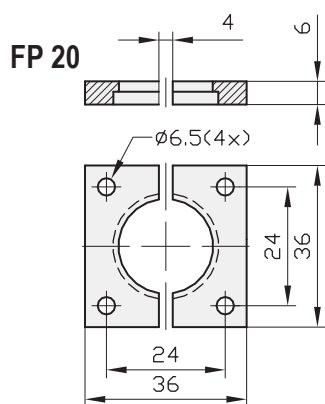
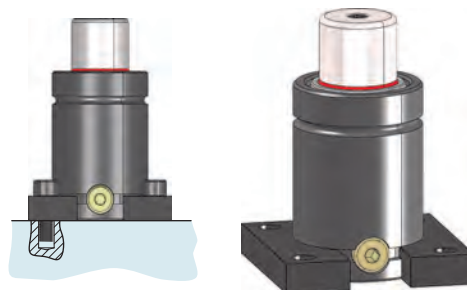
FSC 150



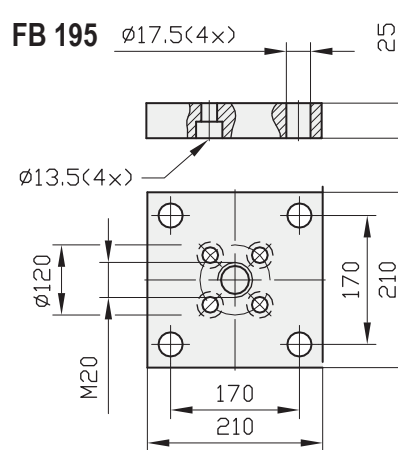
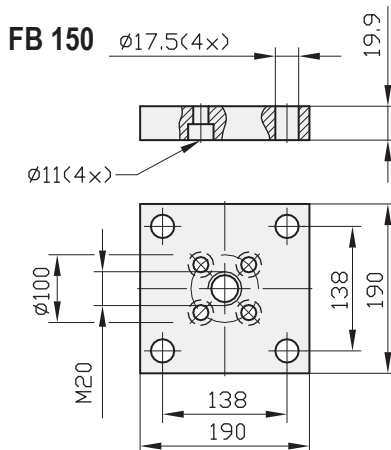
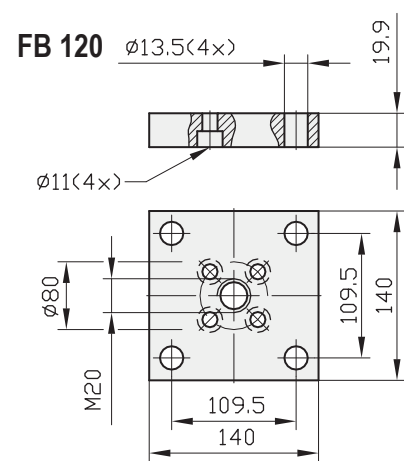
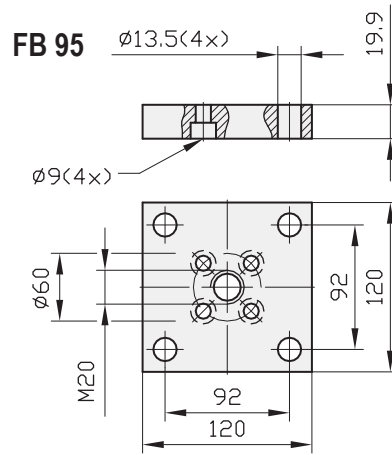
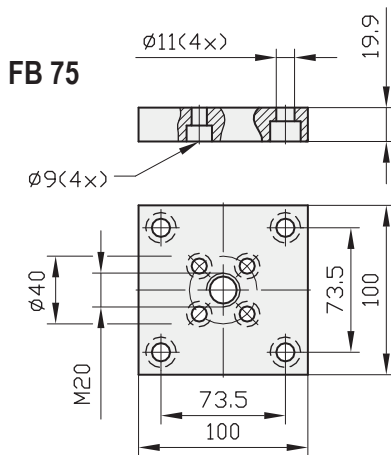
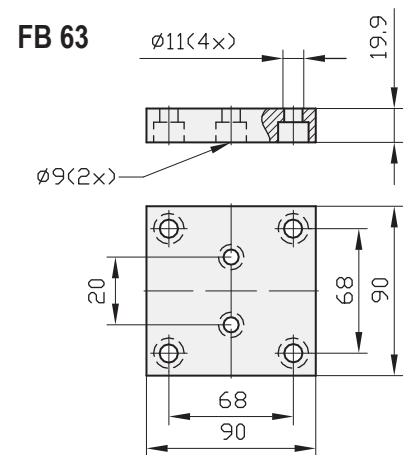
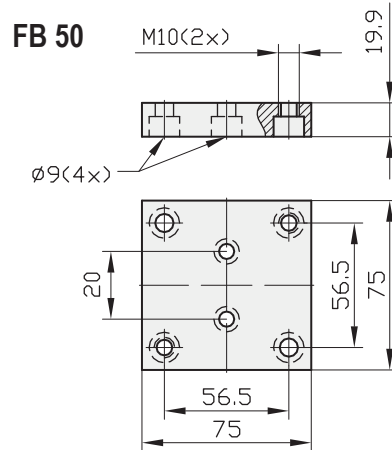
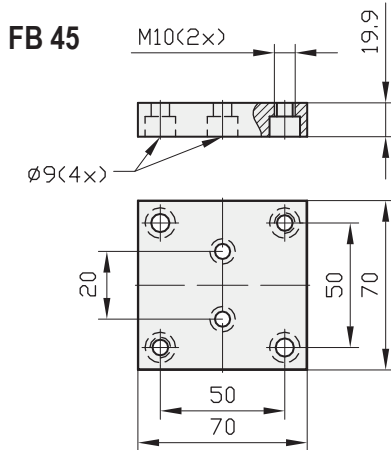
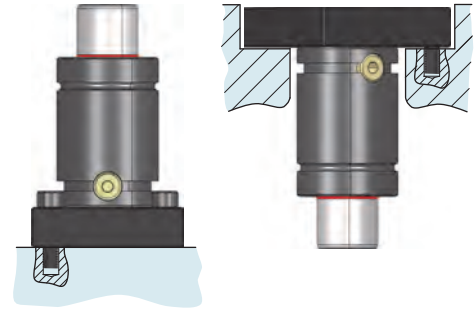
FSC 195



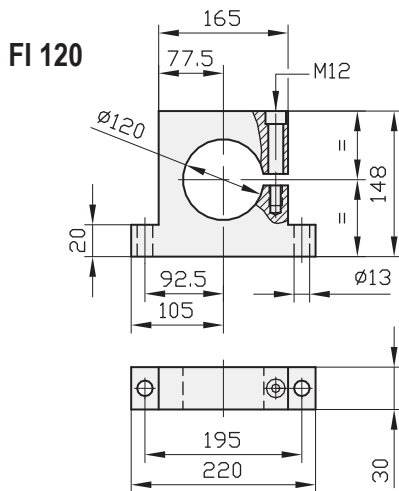
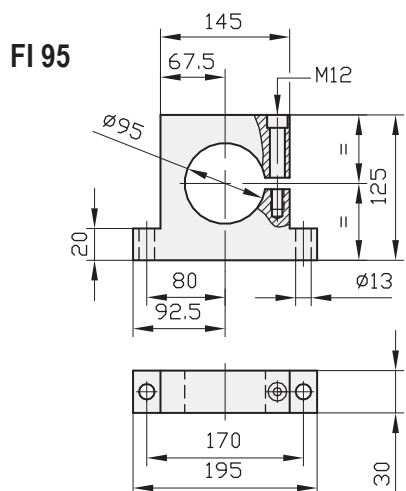
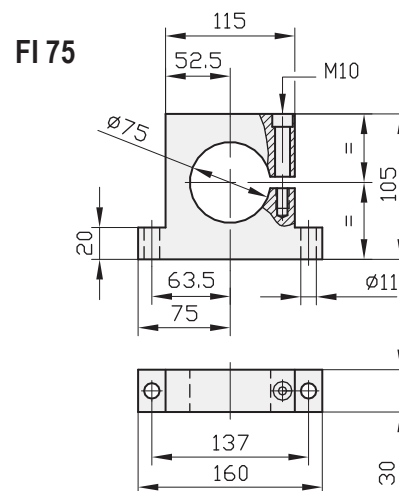
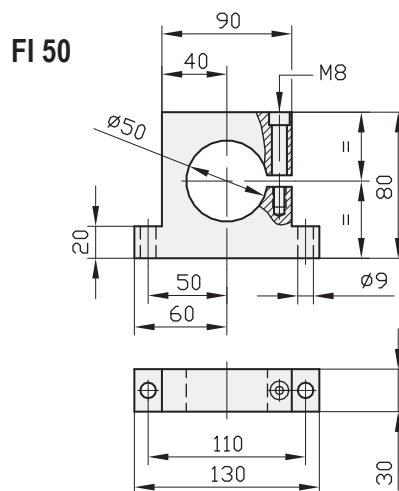
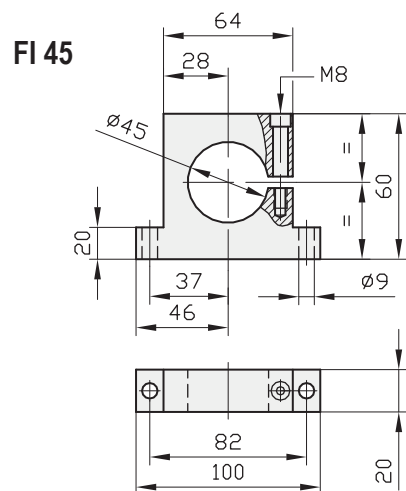
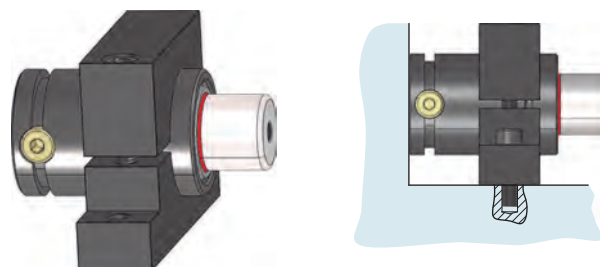
FLANGE FP



FLANGE FB



FLANGE FI



FLANGE FRS

